

# Mark Line Industries, Inc.

P.O. Box 277  
 Bristol, IN 46507  
 Phone 219-825-5851 Fax 219-825-9139

P.O.# \_\_\_\_\_ ORDER DATE \_\_\_\_\_

FOR \_\_\_\_\_

\_\_\_\_\_

Saleperson: \_\_\_\_\_ Freight By: \_\_\_\_\_  
 SIZE: 8 x 20 SERIAL#: \_\_\_\_\_

Seal: IN ANSI DUE DATE: \_\_\_\_\_  
 TYPE: FO-820

FRAME:	
TYPE: Std. w/6" I-B	HITCH: Standard
AXLE: 1	TIRES: 8 Ply
BRAKES: 1	TAG: n/a

FLOOR:	
JOIST: 2" x 4"	FRAMING: Transverse
INSULATION: R-7	KRAFT: No
DECKING: 5/8" T&G Plywood	
TILE: 1/8"	ROLL GDS: n/a
CARPET: n/a	

SIDEWALLS:	
CODE: IN ANSI	WALL HT: 7'-0"
STUDS: 2" x 3"	
TOP PLT: 1" x 3"	BTM. PLT: 1" x 3"
INSULATION: R-7	KRAFT: No
COVERING: 5/32" paneling	
SHEATHING: n/a	
SIDING: .019 Aluminum Polar White Smooth	
EXT. TRIM: .019 Aluminum Heron Blue RCE	
INT. TRIM: Standard	

PARTITION	
STUDS: n/a	
TOP PLT: n/a	BTM. PLT: n/a
INSULATION: n/a	KRAFT: n/a
COVERING: n/a	

ROOF:	
RAFTERS: Tapered 2" x 4"	
INSULATION: R-11	KRAFT: No
CEILING: Pre-Deck	
SHEATHING: n/a	
ROOFING: Galvanized Steel	
MANSARD: n/a	
ROOF VENTS: n/a	
TIE DOWN STRAPS: n/a	

DOORS & WINDOWS:	
EXT. DOOR(S): 1 - 36" x 80" Aluminum Framed Door	
	COLOR: Polar White
INT. DOOR(S) 24": n/a	36": n/a
Windows; 3027: 4627: 4	TYPE: H/S
Note: All Windows to have Mill Finish	

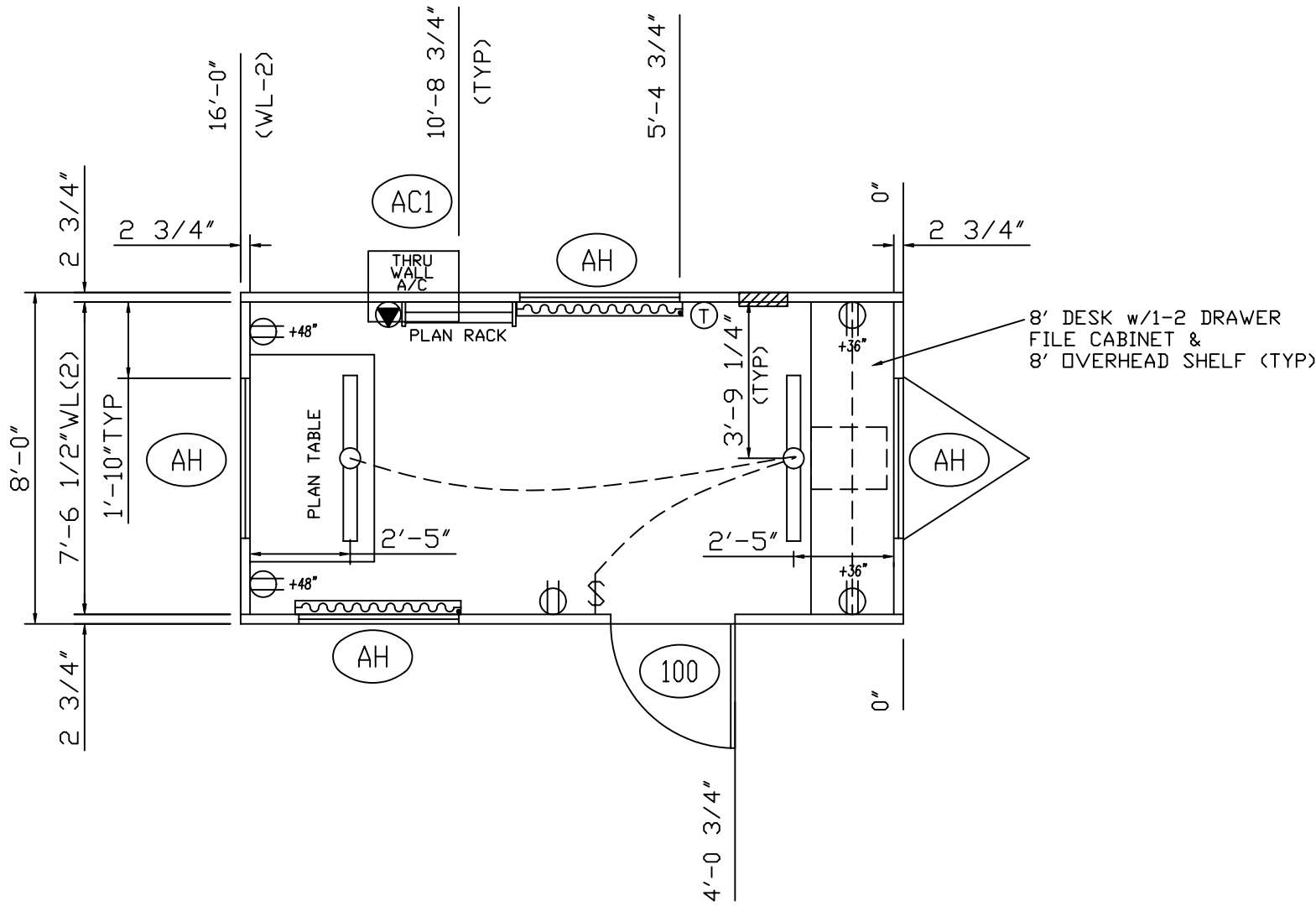
ELECTRICAL:	
PANEL: 60 Amp	WIRE: 14 ga.
CONDUIT: n/a	VT. FAN: n/a
GF. RCPT.: n/a	H/T RCPT.: n/a
PORCHLIGHT: n/a	
LIGHTS: 2 - Two Tube Strips	

PLUMBING:	
STOOL: n/a	LAV.: n/a
HANDICAP: n/a	
WTR. HR.: n/a	MIRROR: n/a
MED. CABINET: n/a	

HVAC:	
COOLING: 1 - 8,200 BTU Thru- Wall A/C	
HEATING: 2 - 1 KW Baseboard Heaters w/Wall Stat	
CEILING DUCT: n/a	
RETURN AIR: n/a	

FURNITURE:	
DESK: 1	FILES: 1
PENCIL DRAWER: n/a	O/H: 1
PLAN RACK: 1	CLOSET: n/a
PLAN TABLE: 1 w/LEGS: Yes	w/BASE:

MISC.:	



AC1	G.E. THRU WALL AC w/SLEEVE R.D. 26 1/4"x16", 62 1/4" AFF
100	3680 EXTERIOR DOOR R.D. 36"x80"
AH	4627 HORIZONTAL SLIDER WINDOW R.D. 46 3/8"x27 1/4", 40 1/4" AFF
MARK	DESCRIPTION
OPENING SCHEDULE	

REV	DESCRIPTION	DATE	BY
<i>MARK LINE INDUSTRIES INC.</i>			
MODEL: FD-820		PLANT: BRISTOL	
DATE: 8/11/98		APPROVED	SCALE: AS NOTED
PROJECT NO.: FD-820			NO.: AEH1